



CONSSIN
LIGHTING.CO.LTD

INDUSTRIAL LED FLOOD LIGHT



- 50000h**
Lifetime Range
- 40°C ~ +50°C**
Working Temperature
- AC100-277V 50/60Hz**
Voltage Range
- 3000K, 4000K, 5000K**
Color Temperature

KWH 2S



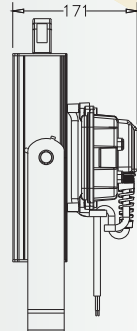
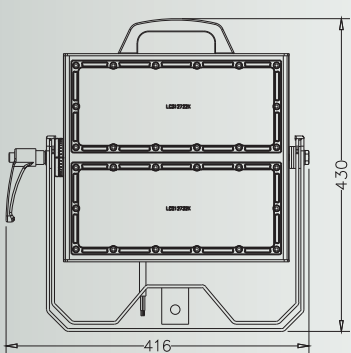
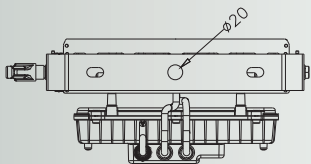
- MADE FROM HIGH QUALITY ALUMINIUM.
- FULLY SERVICEABLE, HIGH UV RESISTANCE WITH LOW MAINTENANCE COSTS.
- INCORPORATED LATEST GENERATION 180 LM/W SAMSUNG CHIP.
- HEAVY DUTY, ROBUST AND BUILT TO RESIST FORCE UP TO 5G.
- ENERGY SAVINGS UP TO 75% COMPARE TO MH.
- INSTANT ON/OFF.

DESIGNED FOR USE IN:

- INDUSTRIAL & MAINTENANCE
- CONSTRUCTION PROJECTS
- GENERAL AREA LIGHTING
- CIVIL & EXHIBITION
- MINE SITES
- ROAD WORKS

DEPARTMENTS:

- Hire companies
- Civil security
- Firefighters
- Police & military
- Emergency departments



02



MODEL	V	T (kelvin)	BEAM Angle	W	LUMEN	MATERIAL	LIGHT Source	Ra	T(H)	Hz	EFFIC	IP	TEMPERATURE (Working)	DIMENSION	WEIGHT
KWH2S-250	AC100-277V	5000K	X: 100° Y: 30°	250W	35000-37500	ALUMINIUM ALLOY	CREE/ SEOUL/ SAMSUNG	>70	50000	50/60	92%	IP67/69	-40°C + 50°C	375mm 416mm 167mm	8.4kg
KWH2S-350	AC100-277V	5000K	X: 100° Y: 30°	350W	47250-50750	ALUMINIUM ALLOY	CREE/ SEOUL/ SAMSUNG	>70	50000	50/60	92%	IP67/69	-40°C + 50°C	430mm 416mm 171mm	10.5 kg



MORE PRODUCT RANGE ON OUR WEBSITE.

Model	KWH2S	
Rated Power	250W	350W
Lumens flux output	37500lm	57500lm
Correlated color temperature	5000K (Options: 3000K - 6500K)	
Operating voltage range	AC 100-277V, 50/60Hz	
Application	Work light	
Input current (230V)	1.1A	1.52A
Power factor	>0.90	
Operating temperature	-40°C to 50°C	
Ingress protection	IP67/IP69	
IK Impact rating	IK10	
Weight	8.4kg	10.5kg
LED type	SMD	
Driver brand	MeanWell, (Inventronics - optional)	

Dimensions	430x 416 x 171mm
Body	Aluminum alloy
Driver box	Casting aluminum
Bracket	Hot rolled carbon steel
Lens	Polycarbonate
Mounted height	0-30 Meters
Dimmable	Optional
Beam angle	X:100° × Y:30°
Warranty period	3 years mobile, 5 years fixed



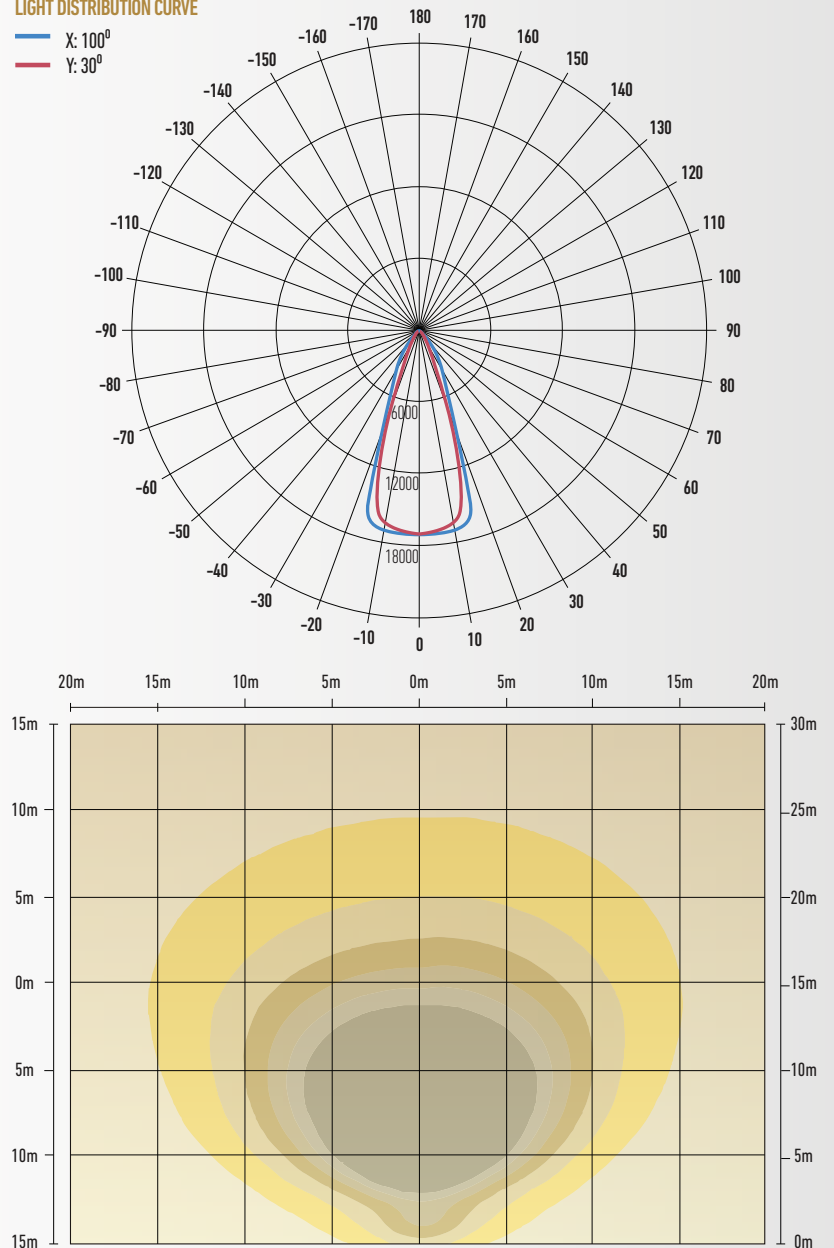
IMPROVE YOUR SAFETY WITH BETTER LIGHTING QUALITY & REDUCE YOUR ENERGY CONSUMPTION.

KWH LED series is designed to efficiently light any large industrial, civil exhibition or mine site operation.



LIGHT DISTRIBUTION CURVE

— X: 100°
— Y: 30°



MORE PRODUCT RANGE ON OUR WEBSITE.

